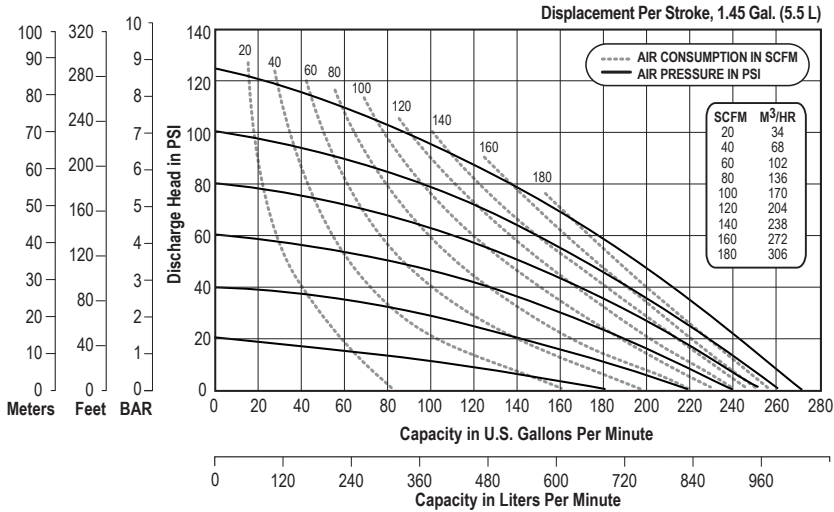


# E3 DATA SHEET

## SPECIFICATIONS & PERFORMANCE

# 3" Bolted Aluminum - ATEX with Metal Center Section

### PERFORMANCE



NOTE: Performance based on the following: elastomeric fitted pump, flooded suction, water at ambient conditions. The use of other materials and varying hydraulic conditions may result in deviations in excess of 5%.

### SPECIFICATIONS

#### Flow Rate

Adjustable to 0-273 gpm (1,033 lpm)

#### Port Size

Suction 3" ANSI 150 lbs. Class (DIN80)

Discharge . . . 3" ANSI 150 lbs. Class

**Air Inlet** . . . . . 1/2" NPT

**Air Exhaust** . . . . . 1" NPT

#### Suction Lift

Dry . . . . . 16' (4.9 m)

Wet . . . . . 31' (9.4 m)

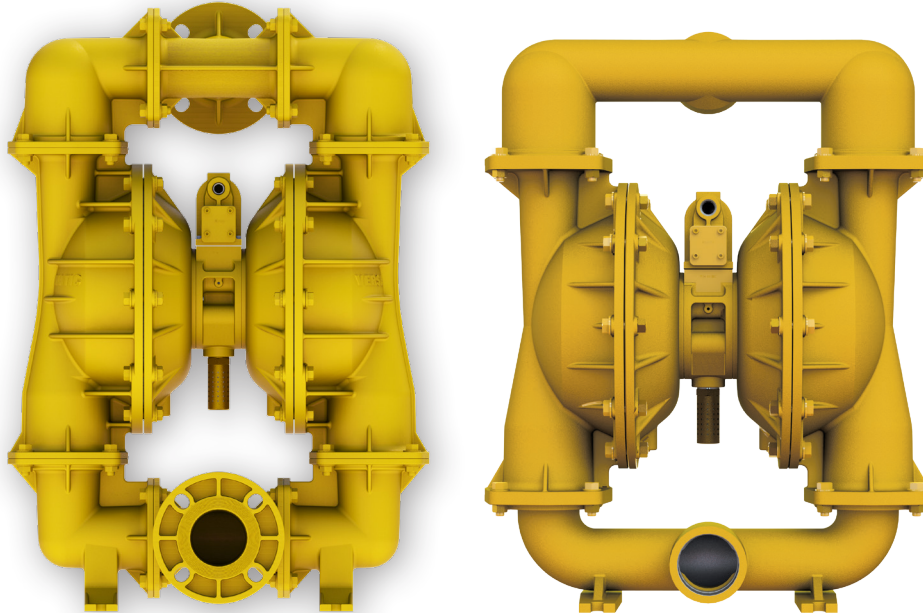
#### Max Solid Size (Diameter)

. . . . . 3/8" (9.5 mm)

**Max Noise Level** . . . . . 93 dB(A)

#### Shipping Weights

Aluminum . . . . . 146 lbs. (66.2 kg)



# VERSAMATIC®

Warren Rupp, Inc. | A Unit of IDEX Corporation  
800 North Main Street | Mansfield, OH 44902 USA  
Phone: 419.526.7296 | Fax: 419.526.7289

[VERSAMATIC.COM](http://VERSAMATIC.COM)

e3mdlCdsATEXAB-rev0519

©Copyright 2019 Warren Rupp, Inc. All Rights Reserved.

# E3 DATA SHEET

## SPECIFICATIONS & PERFORMANCE

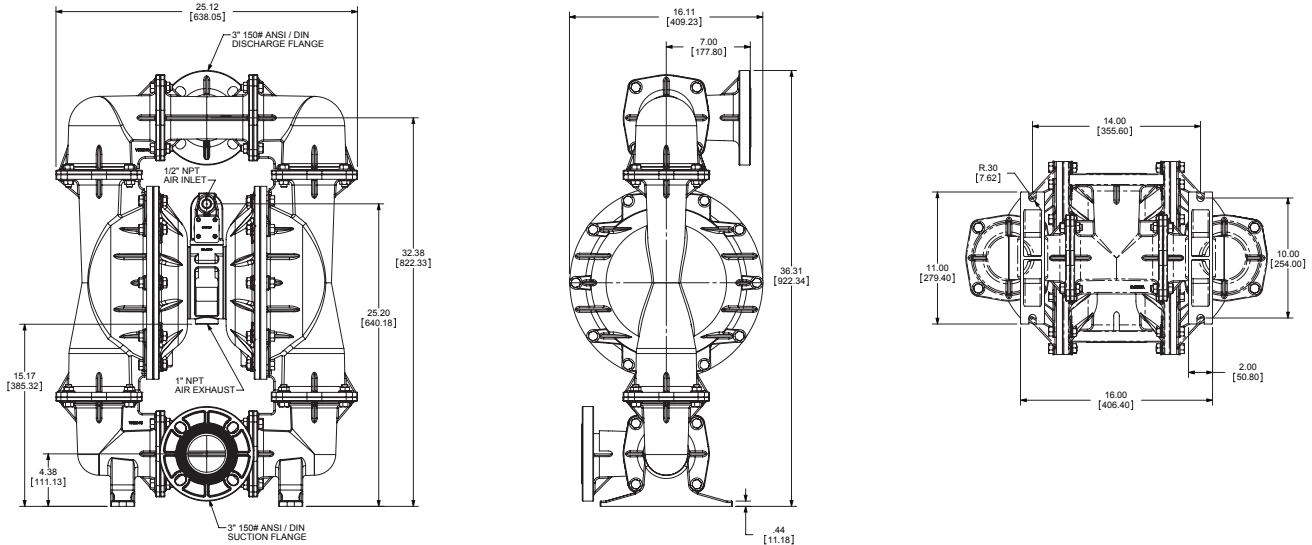
# 3" Bolted Aluminum - ATEX

with Metal Center Section

### DIMENSIONS

#### E3 Bolted Aluminum - ANSI Flange

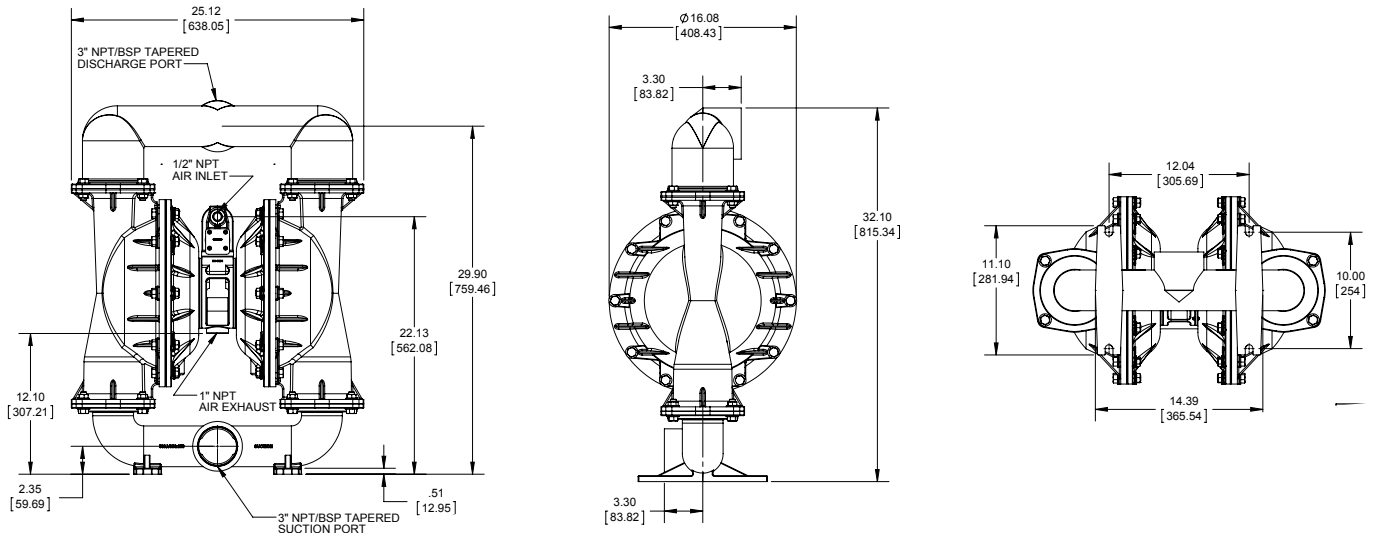
Dimensions in inches (metric dimensions in brackets). Dimensional Tolerance .125" (3mm).



#### E3 Bolted Aluminum - NPT / BSP

#### Dimensionally Interchangeable with Versa-Matic and Wilden Clamped Pumps

Dimensions in inches (metric dimensions in brackets). Dimensional Tolerance .125" (3mm).



# VERSAMATIC®

Warren Rupp, Inc. | A Unit of IDEX Corporation  
800 North Main Street | Mansfield, OH 44902 USA  
Phone: 419.526.7296 | Fax: 419.526.7289

[VERSAMATIC.COM](http://VERSAMATIC.COM)

e3mdlCdsATEXAB-rev0519

©Copyright 2019 Warren Rupp, Inc. All Rights Reserved.